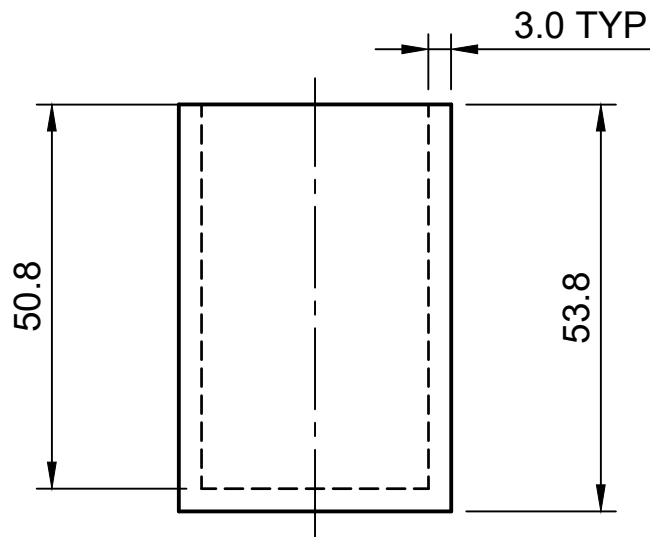
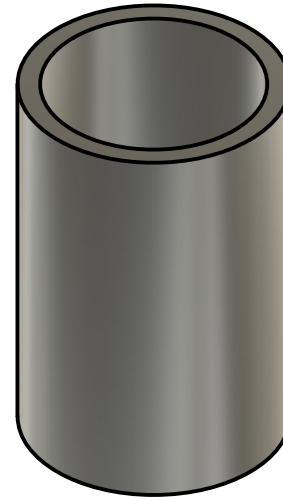
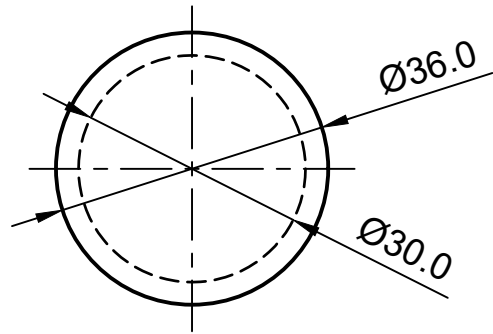
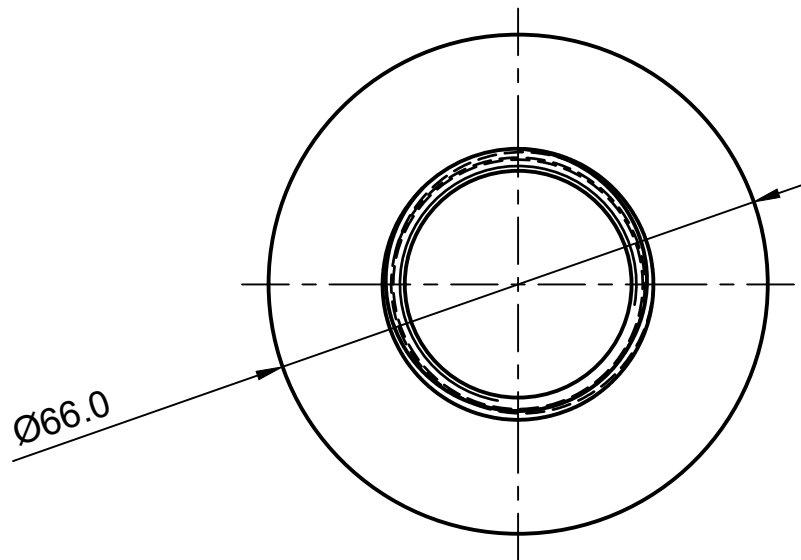
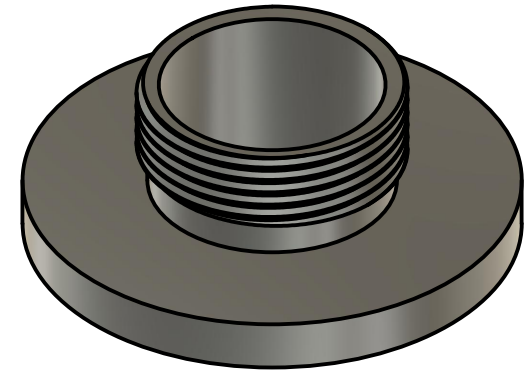
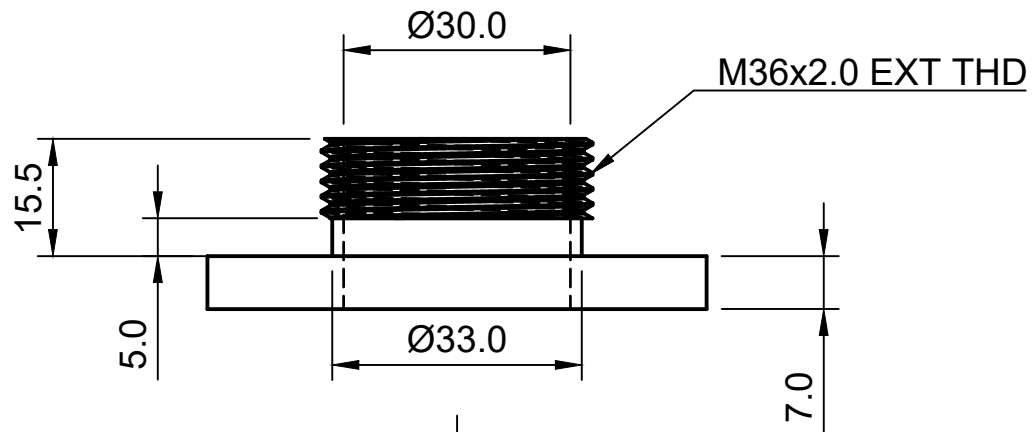


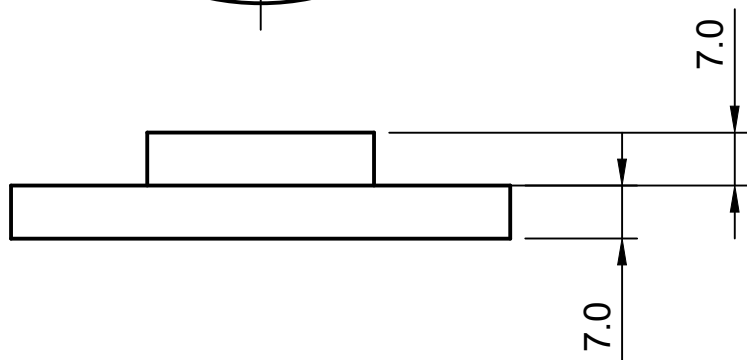
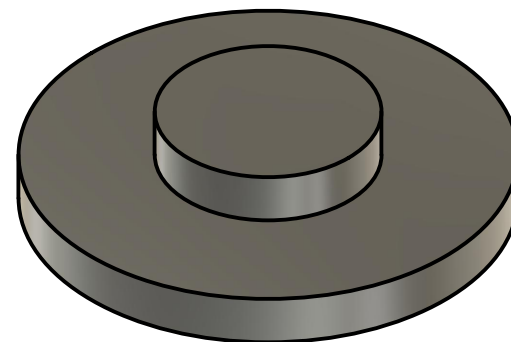
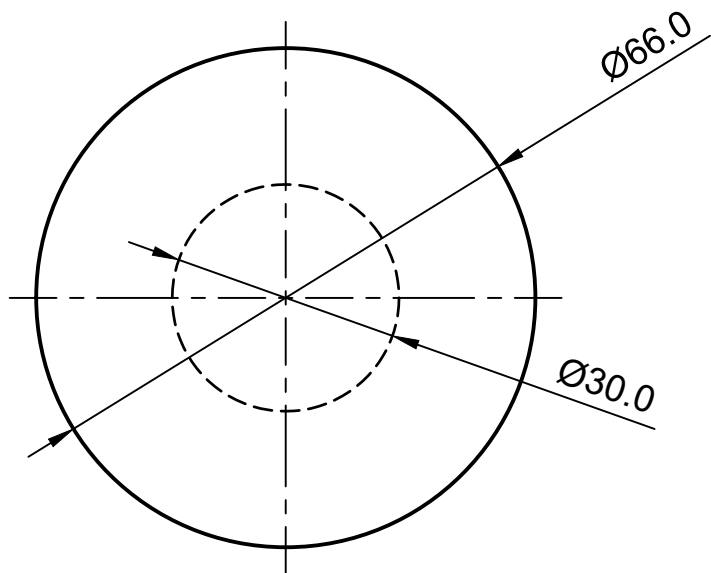
Dept. WSU AE	Technical reference	Created by David Van Ommen 7/30/2019	Approved by	
Unless otherwise specified, all dimensions are in millimeters. Tolerances +/- 0.10 mm		Document type	Document status	
		Title 30mm x 25.4mm Sample Holder	DWG No. 1	
Rev. -	Date of issue 7/30/2019	Sheet 1/1		



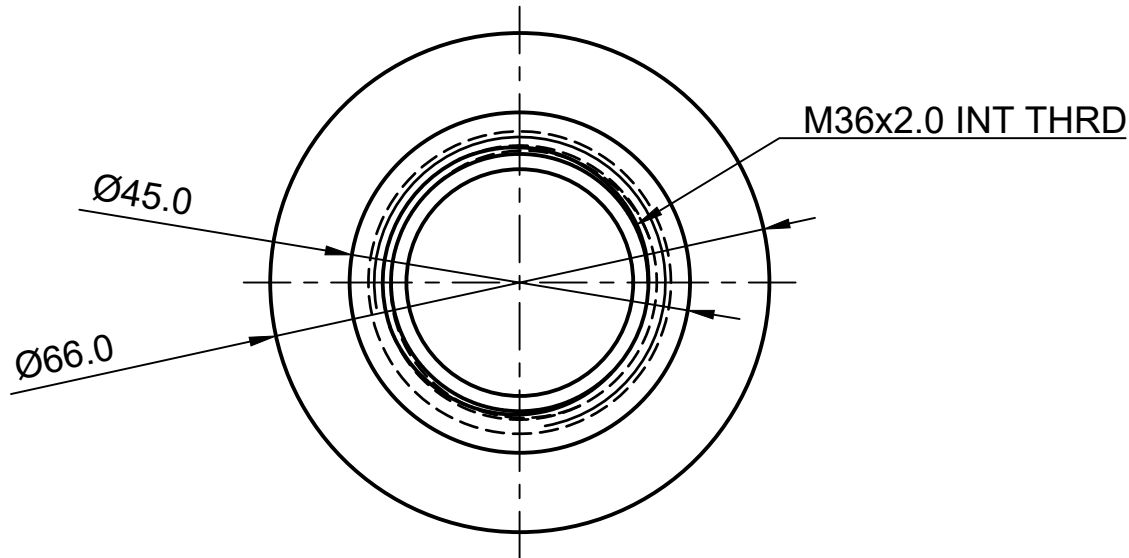
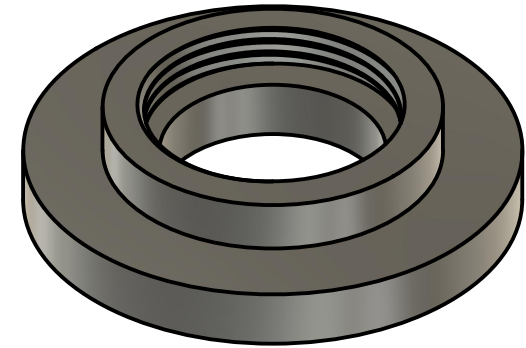
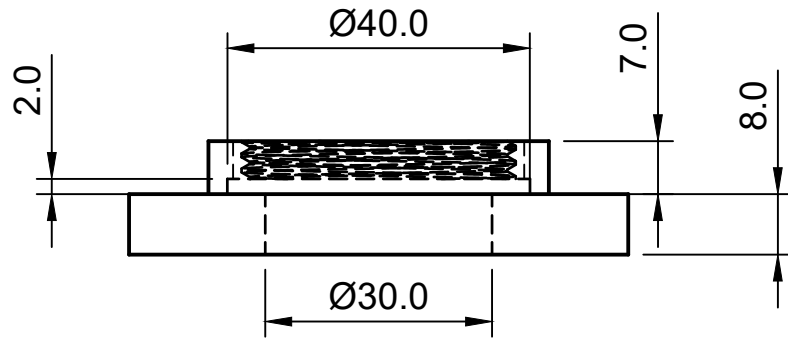
Dept. WSU AE	Technical reference	Created by David Van Ommen 7/30/2019	Approved by	
Unless otherwise specified, all dimensions are in millimeters. Tolerances +/- 0.10 mm		Document type	Document status	
		Title 30mm x 50.8mm Sample Holder	DWG No. 2	
		Rev. -	Date of issue 7/30/2019	Sheet 1/1



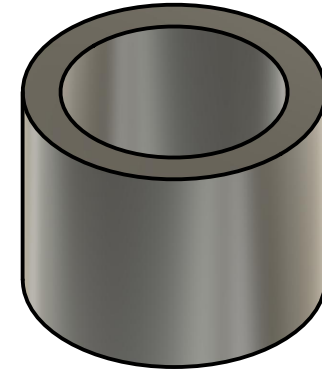
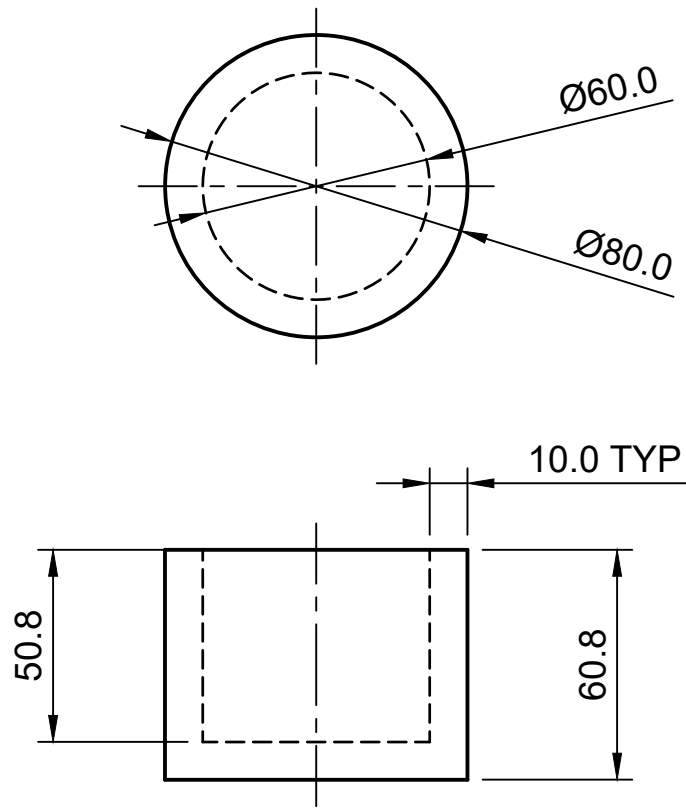
Dept. WSU AE	Technical reference	Created by David Van Ommen 7/30/2019	Approved by	
Unless otherwise specified, all dimensions are in millimeters. Tolerances +/- 0.10 mm		Document type	Document status	
		Title 30mm Flange	DWG No. 3	
Rev. -	Date of issue 7/30/2019	Sheet 1/1		



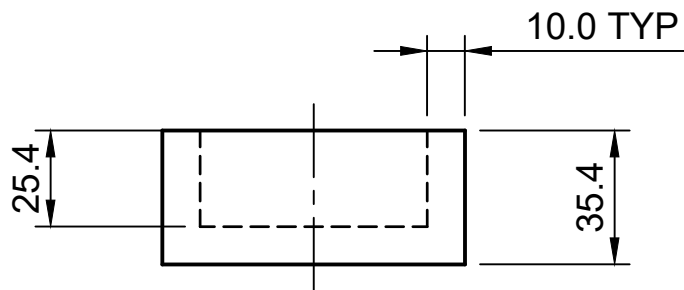
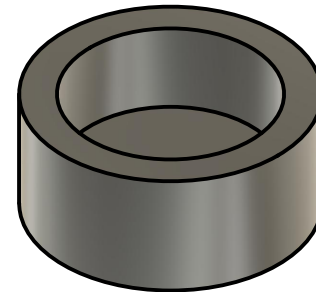
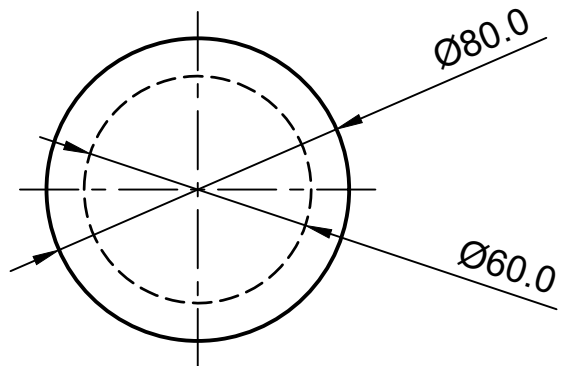
Dept. WSU AE	Technical reference	Created by David Van Ommen 7/30/2019	Approved by	
Unless otherwise specified, all dimensions are in millimeters. Tolerances +/- 0.10 mm		Document type	Document status	
		Title 30mm Flange Plug	DWG No. 4	
		Rev. -	Date of issue 7/30/2019	Sheet 1/1



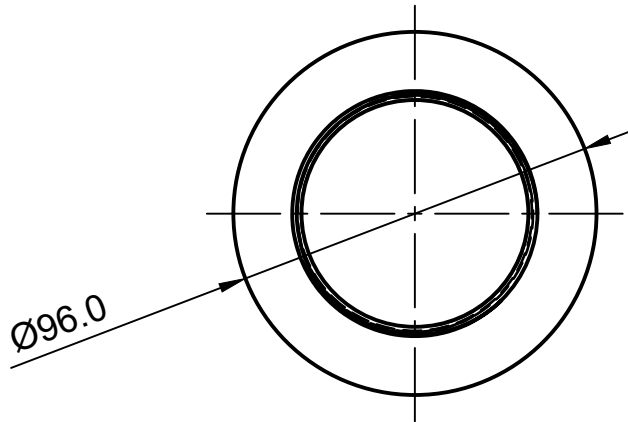
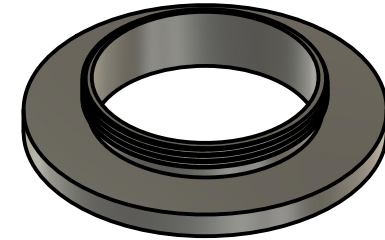
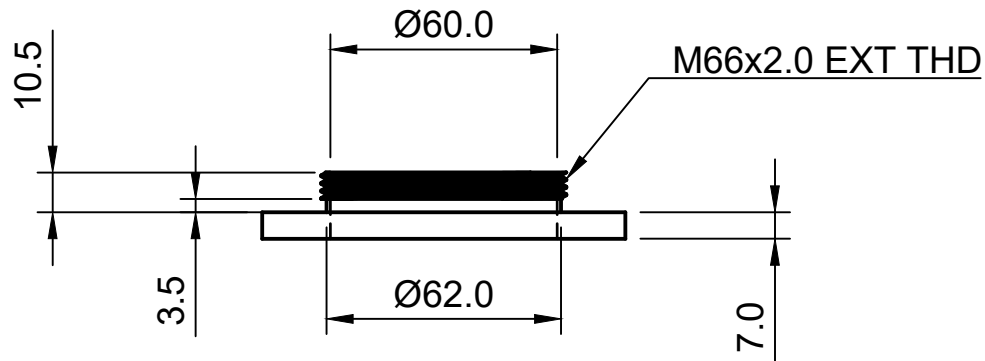
Dept. WSU AE	Technical reference	Created by David Van Ommen 7/30/2019	Approved by	
Unless otherwise specified, all dimensions are in millimeters. Tolerances +/- 0.10 mm		Document type	Document status	
		Title 30mm Flange Through	DWG No. 5	
		Rev. -	Date of issue 7/30/2019	Sheet 1/1



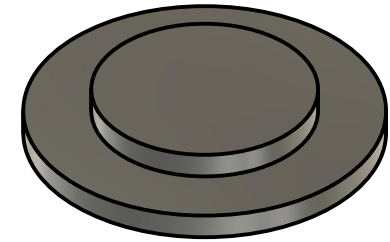
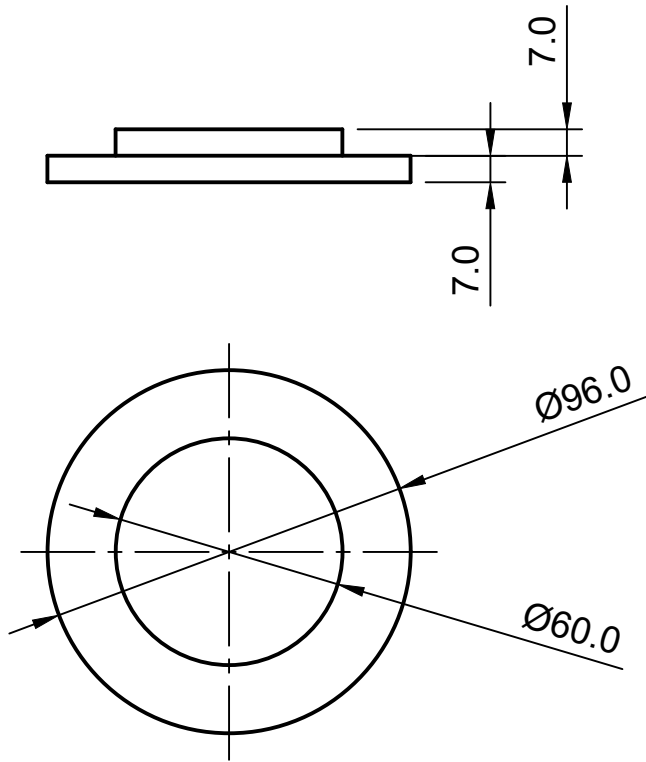
Dept. WSU AE	Technical reference	Created by David Van Ommen 7/30/2019	Approved by	
Unless otherwise specified, all dimensions are in millimeters. Tolerances +/- 0.10 mm		Document type	Document status	
		Title 60mm x 50.8mm Sample Holder	DWG No. 6	
Rev. -	Date of issue 7/30/2019	Sheet 1/1		



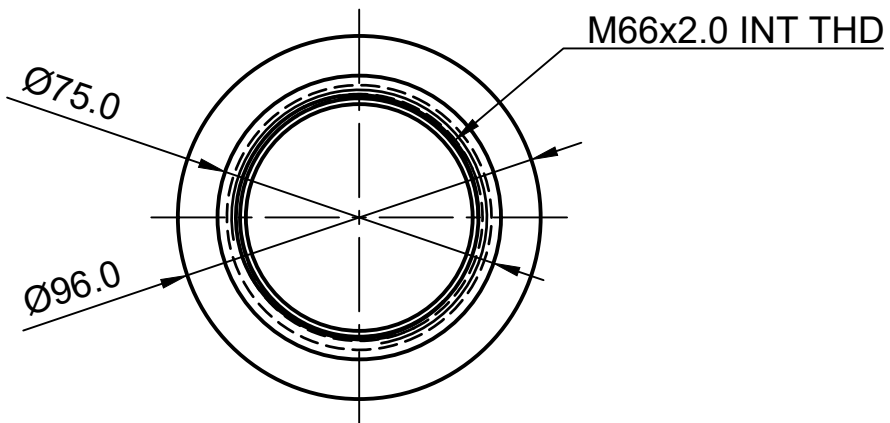
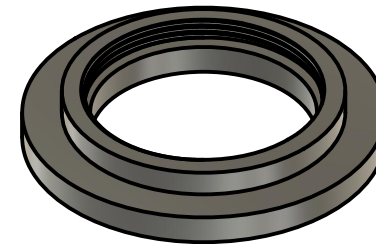
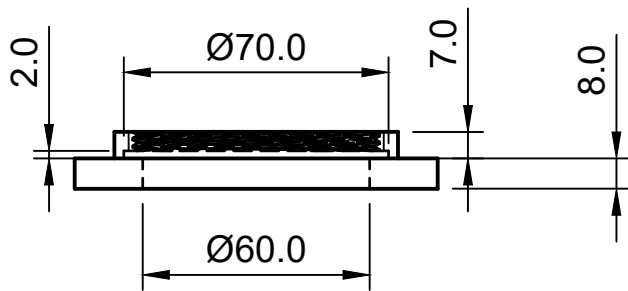
Dept. WSU AE	Technical reference	Created by David Van Ommen 7/30/2019	Approved by	
Unless otherwise specified, all dimensions are in millimeters. Tolerances +/- 0.10 mm		Document type	Document status	
		Title 60mm x 25.4mm	DWG No. 7	
Rev. -	Date of issue 7/30/2019	Sheet 1/1		



Dept. WSU AE	Technical reference	Created by David Van Ommen 7/30/2019	Approved by	
Unless otherwise specified, all dimensions are in millimeters. Tolerances +/- 0.10 mm		Document type	Document status	
		Title 60mm Flange	DWG No. 8	
		Rev. -	Date of issue 7/30/2019	Sheet 1/1



Dept. WSU AE	Technical reference	Created by David Van Ommen 7/30/2019	Approved by	
Unless otherwise specified, all dimensions are in millimeters. Tolerances +/- 0.10 mm		Document type	Document status	
		Title 60mm Flange Plug	DWG No. 9	
		Rev. -	Date of issue 7/30/2019	Sheet 1/1



Dept. WSU AE	Technical reference	Created by David Van Ommen 7/30/2019	Approved by	
Unless otherwise specified, all dimensions are in millimeters. Tolerances +/- 0.10 mm		Document type	Document status	
		Title 60mm Flange Through	DWG No. 10	
		Rev. -	Date of issue 7/30/2019	Sheet 1/1